

T600 Linear Actuator

General Features:

- Voltage of motor: 24VDC
- Maximum load(push): 6000N
- Maximum load(pull): 4000N
- Maximum speed: 50mm/s
- Min Mounting Dimension: Stroke+150 and stroke+175 with piston rod eye
- Built-in end stop switches(not adjustable)
- Color: Black Or Grey
- Protection class: IPX6
- Duty cycle : 10% or 2 min. continuous use followed by 18 min. not in use
- Flexible front fixture
- IEC60601-1, ES60601-1



Option Features:

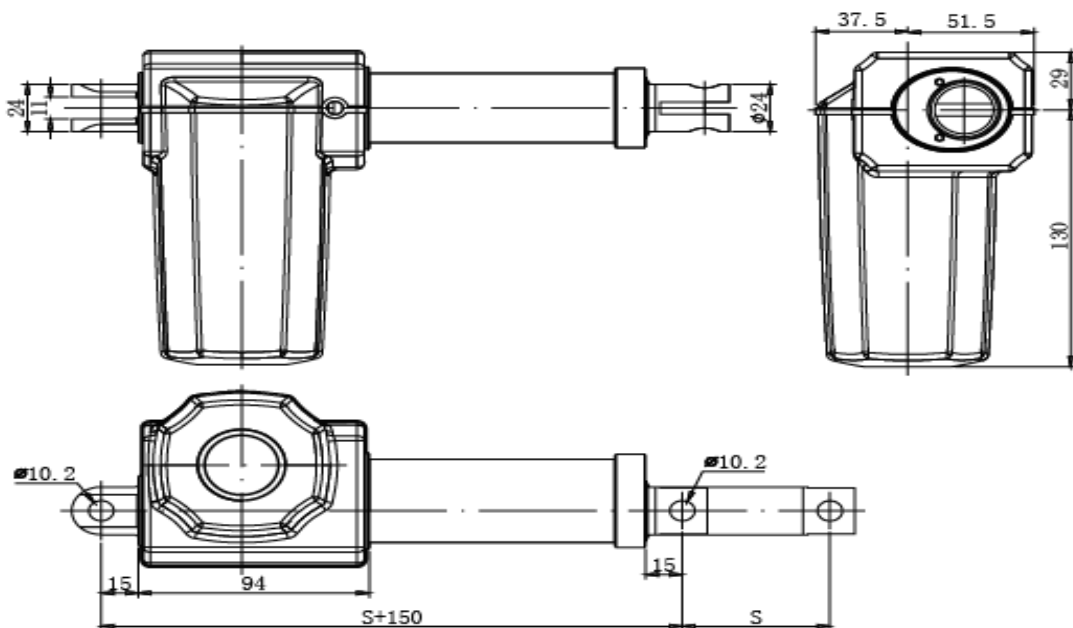
- Protection class: IPX4
- Safety option:
 1. Safety nut
 2. Mechanical splines
- Special option:
 1. Quick retracting
 2. Quick release
 3. flexible piston rod eye
- Position signal: hall sensors
- Stroke tube:
 1. Stainless steel tube
 2. Steel tube with wear-resistant powder painted
 3. Aluminium tube with surface handled
- Voltage:
 1. 12VDC
 2. 36VDC

Load and Speed

CODE	Maksimum Load (N)		Self Lock (N)	Full Load Current (A)	Velocity(mm/s)	
	Push	Pull			No Load	Rated Load
A	6000	4000	6000	3.5	5.5	3.6
B	4000	4000	4000	3.4	8	5.3
C	3000	3000	3000	3.3	11	7.5
D	2000	2000	2000	3.2	16.5	11.5
E	1500	1500	1500	3.1	22	15.5
F	1000	1000	1000	3.0	33	23
G	750	750	750	3.0	44	31

Remark: Above data bases on 3200 RPM Motor tested under rated 24VDC

Drawing



Ordering Example;

T600-24-A-200-1-0-1-1-1-2-1

