

LC809 Linear Actuator

General Features:

- Voltage of motor: 24VDC
- Maximum load(push): 2000N
- Maximum speed: 55mm/s
- Normal temperture range: -40C°~65C°
- Color: Black Or Grey
- Protection class: IP65
- Potentiometer , hall feedback available
- Build in limit switch
- Duty cycle : %25 with full load
- Flexible front fixture
- IEC60601-1, ES60601-1,CE
- Widely apply to industrial equipment,sweeper instrument air setting,window opener etc



Table 1.0 Transmission Paramters Of The Code

Code	Rating load (N)	Speed (mm/s)		Current A (Normal temperture)							
				12 V		24 V		36 V		48 V	
		No load	Full load	No load	Full load	No load	Full load	No load	Full load	No load	Full load
A	2000	5	4	1.2	3.5	0.6	2.0	0.4	1.5	0.3	1.0
B	1600	7	5.5	1.2	3.5	0.6	2.0	0.4	1.5	0.3	1.0
C	1200	10	8	1.2	3.5	0.6	2.0	0.4	1.5	0.3	1.0
D	700	18	14	1.2	3.5	0.6	2.0	0.4	1.5	0.3	1.0
E	300	38	30	1.2	3.5	0.7	2.0	0.5	1.5	0.3	1.0
F	1200	8	6	1.5	4.0	0.8	2.5	0.5	1.5	0.3	1.0
G	800	10	8	1.5	4.0	0.8	2.5	0.5	1.5	0.3	1.0
H	600	14	11	1.5	4.0	0.8	2.5	0.5	1.5	0.3	1.0
I	400	28	22	1.5	4.0	0.8	2.5	0.5	1.5	0.3	1.0
J	200	55	45	1.5	4.0	0.8	2.5	0.5	1.5	0.3	1.0

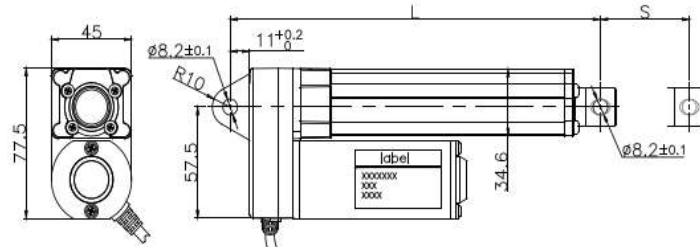
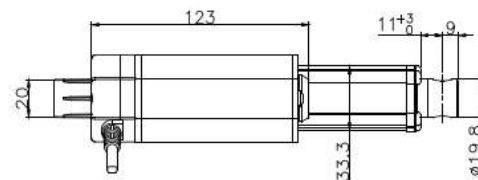
Table 2.0 Stroke And Load

Stoke mm								Load N
501-600								
401-500								
301-400								
201-300								
30-200								
	400	600	800	1000	1200	1600	2000	

Table 3.0 Dimension Standard

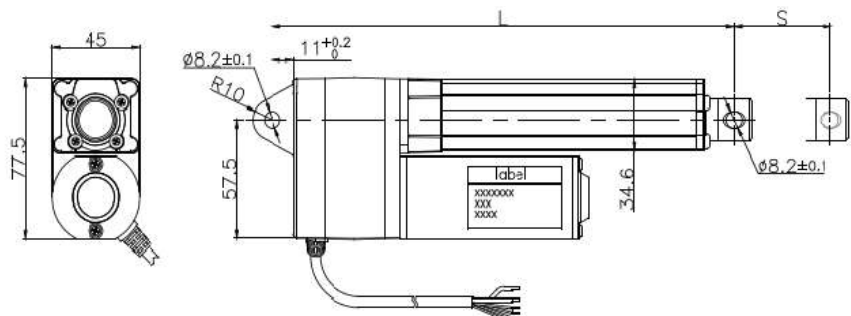
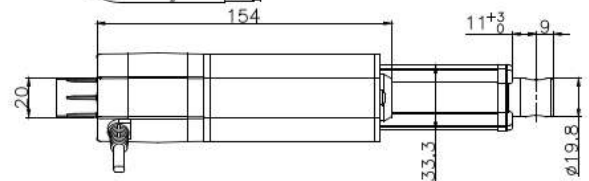
1:Dimension Standard

30≤Stroke<300, L=S+108
(Stroke: 30, Speed:20+,L≥140)
300≤Stoke<500, L=S+120
500≤Stokes≤600, L=S+130
Mounting hole 90° (Standard)



2:Dimension with potentiometer

30≤Stroke<300, L=S+140
300≤Stoke<500, L=S+150
500≤Stokes≤600, L=S+130
Mounting hole 90° (Standard)



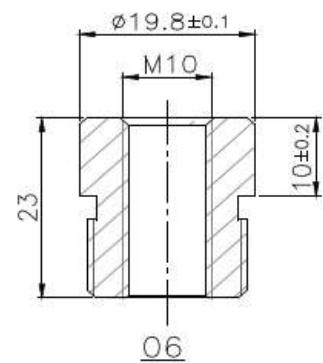
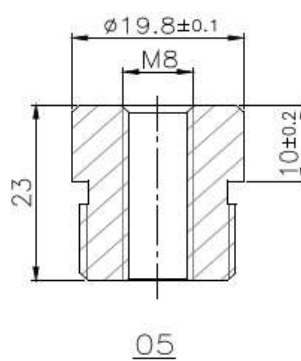
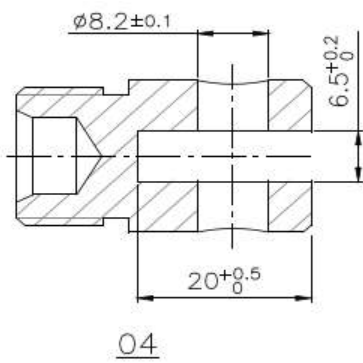
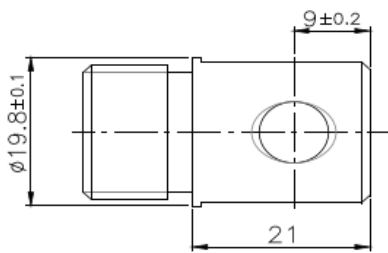
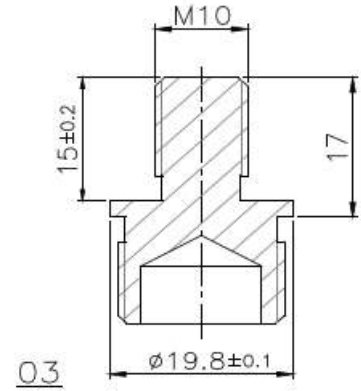
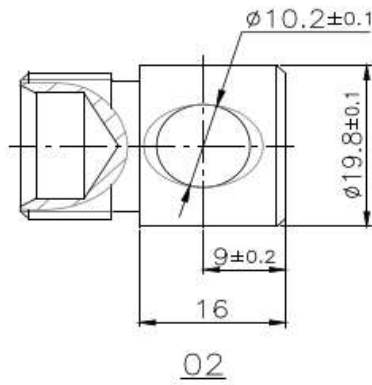
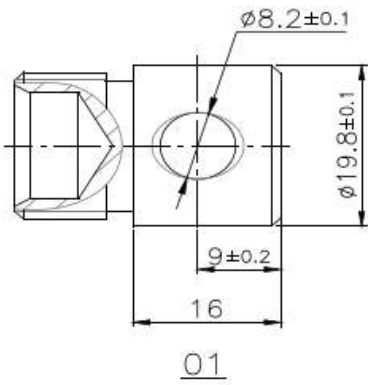
Note: When front attachment is joint bearing or customized attachment, the dimension is not apply to above rules

DATA SHEED

Linear Actuator

HEDRON

Table 4.0 Front Attachement



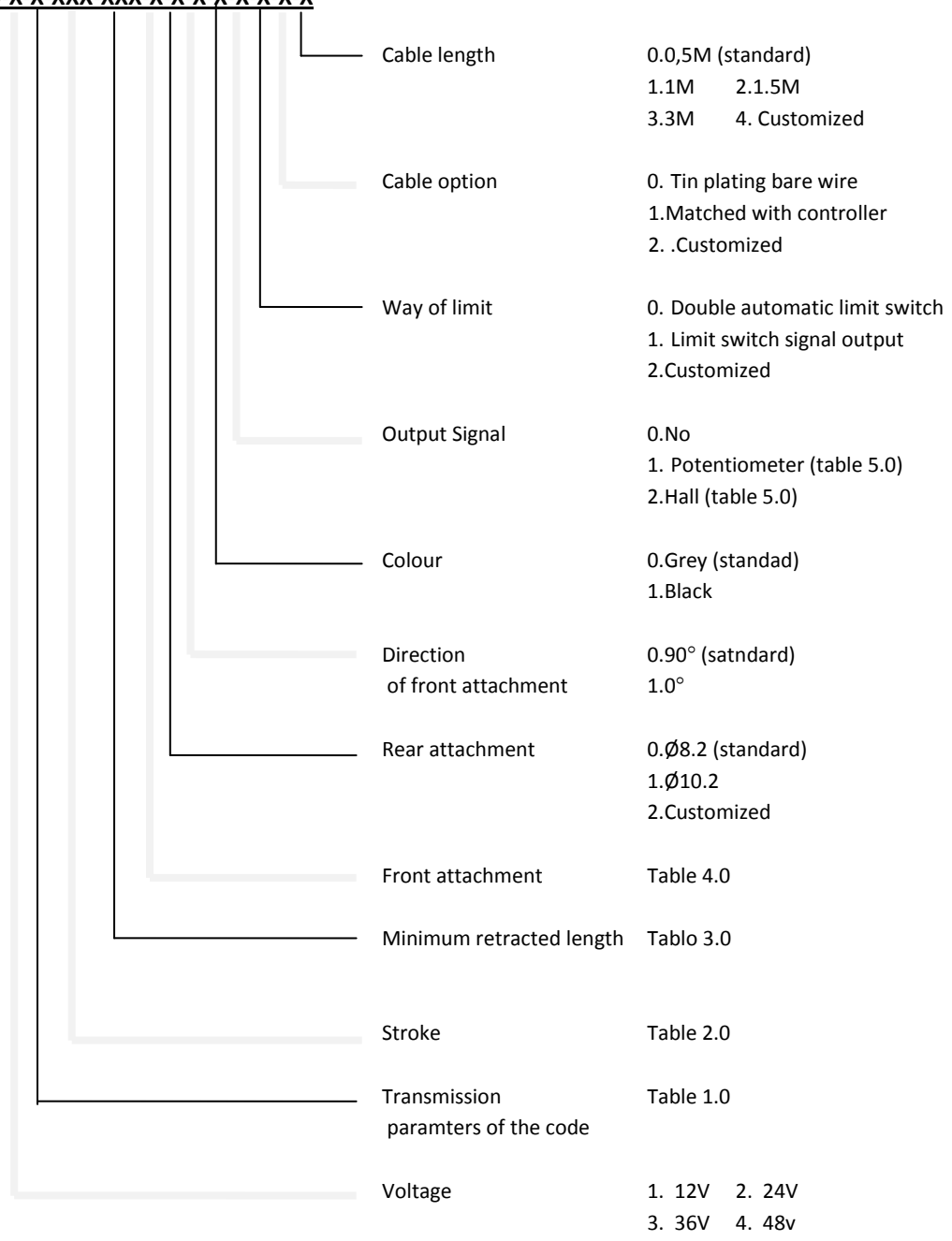
Note: 01-Standard, 07- Customized.

Table 5.0 Potentiometer Range

Code	Ouput signal	Features	Resolution 1mm stroke± %10
A~E	Potantiometer	200mm 10K Ω	0.0464 KΩ
F~J		300mm 10K Ω	0.0294 KΩ
A	Hall	Signal (one pole pait)	12.5
B			9.45
C			6.3
D			3.15
E			1.58
F			8
G			6
H			4
I			2
J			1

Ordering Example

LC809-X-X-XXX-XXX-X-X-X-X-X-X-X



Cable length	0.0,5M (standard) 1.1M 2.1.5M 3.3M 4. Customized
Cable option	0. Tin plating bare wire 1.Matched with controller 2. .Customized
Way of limit	0. Double automatic limit switch 1. Limit switch signal output 2.Customized
Output Signal	0.No 1. Potentiometer (table 5.0) 2.Hall (table 5.0)
Colour	0.Grey (standad) 1.Black
Direction of front attachment	0.90° (satndard) 1.0°
Rear attachment	0.Ø8.2 (standard) 1.Ø10.2 2.Customized
Front attachment	Table 4.0
Minimum retracted length	Tablo 3.0
Stroke	Table 2.0
Transmission paramters of the code	Table 1.0
Voltage	1. 12V 2. 24V 3. 36V 4. 48v